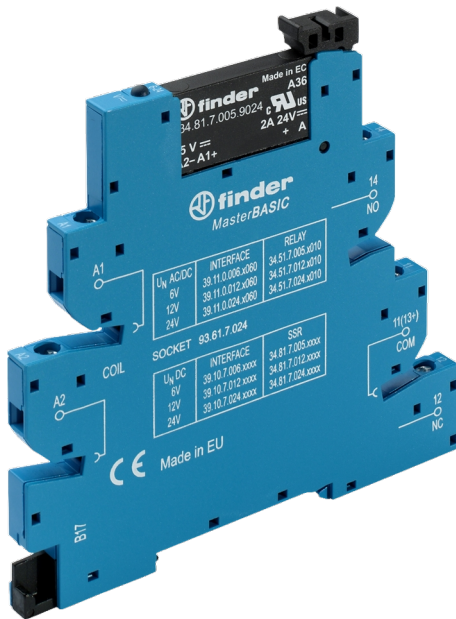


Catalogue No: 39.10.9024 24V DC

MASTER BASIC SSR 6A 1NO 24VDC SENSITIVE COIL 24VDC OUTPUT

Timers and Control Relays > General Purpose Relays > Solid State Relays > Finder Solid State Relays > 39 Series
Interface Relays > Master Basic Relays



Representative Photo Only
(actual product may vary based on configuration selections)

39 Master Basic SSR 1N/O 24V DC Coil 24V DC 2A Output

- Market leading design with a compact profile which helps to achieve a space saving solution for low amperage requirements
- International certifications and approvals including CE, CSA, EAC, PCT, RINA, VDE and RoHS, providing quality assurance of a market leading product
- Ideal for PLC interposing applications where a fast response time is required

SPECIFICATIONS

Product Series	39
Number of Poles	1
Contact Configuration	1 NO
In, Rated Current	2 A
Ie, Rated Operational Current, min	1 mA,min
Icw, Short Time Withstand Current, 10ms (rms)	20 A, 10ms
IΔn, Leakage Current, Max	0.001 mA
Un, Nominal Operational Voltage, DC	24 V DC
Ue, Rated Operational Voltage, DC, min	1.5 V DC
Ue, Rated Operational Voltage, DC, max	24 V DC
Blocking Voltage, Peak	33 Vp
Voltage Drop, On State, Max	0.12 V
Control Voltage, DC, Nom	24 V DC
Control Voltage, DC, Min	19.2 V DC min
Control Voltage, DC, Max	26.4 V DC max
Supply Power, Rated, DC	0.25 W
Response Time (Off → On)	0.2 ms
Response Time (On → Off)	0.6 ms
Insulation Voltage, between Input & Output	250 V AC
Mounting	DIN-35 Rail Mount
Terminal Type, Supply	Screw Terminal(s)
Terminal Type, Operational	Screw Terminal(s)
Wire / Conductor Size	2.5 mm ²
Wire Strip Length	10 mm
Operating Temperature, Min	-20 °C min
Operating Temperature, Max	55 °C max
IP Rating	IP20
Height	87 mm

Catalogue No: 39.10.9024 24V DC

MASTER BASIC SSR 6A 1NO 24VDC SENSITIVE COIL 24VDC OUTPUT

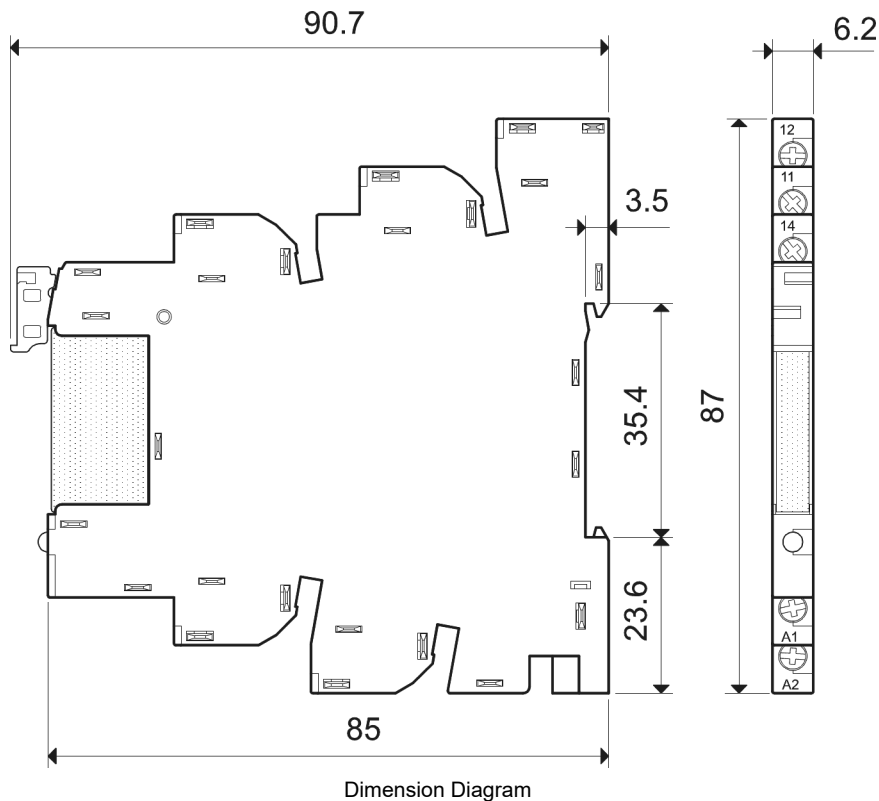
Timers and Control Relays > General Purpose Relays > Solid State Relays > Finder Solid State Relays > 39 Series
Interface Relays > Master Basic Relays



Width	6.2 mm
Depth	90.7 mm
Shock Duration (Max.)	6 ms
Vibration Acceleration (Max.)	15 m/s ²
Vibration Frequency, Operational (Max.)	55 Hz
Certifications	CE EAC GOST-R C-UR-US

REFERENCES

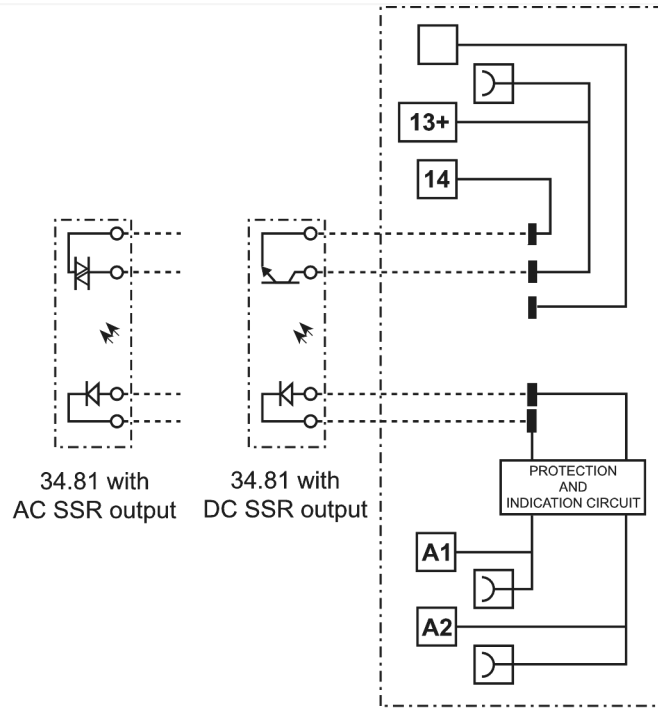
IECEX Certificate	-
Supplier Declaration of Conformity:	-
Installation Guide:	-
User Manual:	-
Manufacturer Datasheet:	-
Manufacturer Catalogue & Product Selection:	-



Catalogue No: 39.10.9024 24V DC

MASTER BASIC SSR 6A 1NO 24VDC SENSITIVE COIL 24VDC OUTPUT

Timers and Control Relays > General Purpose Relays > Solid State Relays > Finder Solid State Relays > 39 Series
Interface Relays > Master Basic Relays



93.60 / 93.61

Connection / Wiring Diagram